

- o Flat Cable Connectors SEK
- o *har-mik®*
- o D-Sub
- o InduCom

➔ Applications



Product details

09 21 040 3101

Female insert, Han 40 D

Series	Han D®, Han D® AV
Number of contacts	40 poles + PE
Size of hood/ housing	Han® 16 B
Termination	Crimp termination
Insert material	Standard material
Contacts	Order separately
Electrical data	10 A 250 V 4 kV 3
RoHS compliant	Yes

Available Downloads

Title	Format	
Data sheet	PDF	↓ download
CAD data 2D	DXF	↓ download
CAD data 3D	IGES	↓ download
CAD data 3D	STEP	↓ download

Inquiry

5

4

3

2

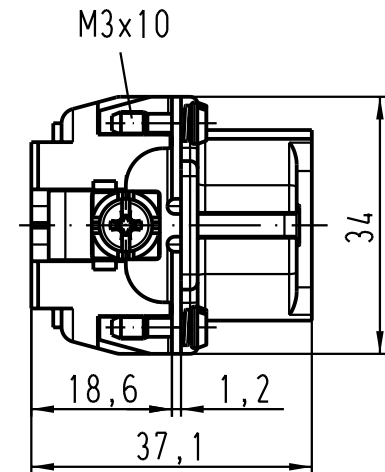
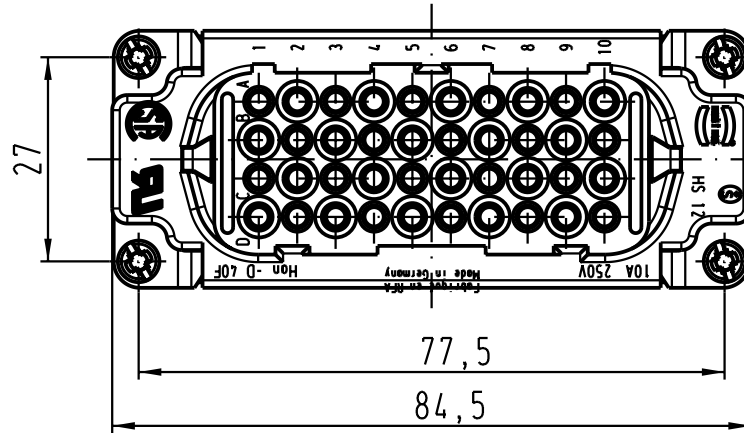
1

D

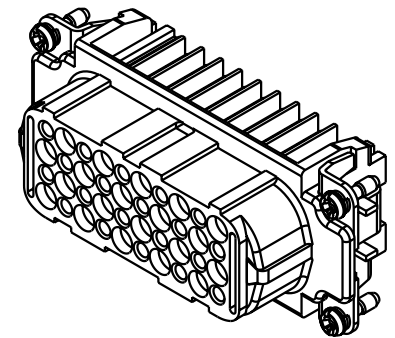
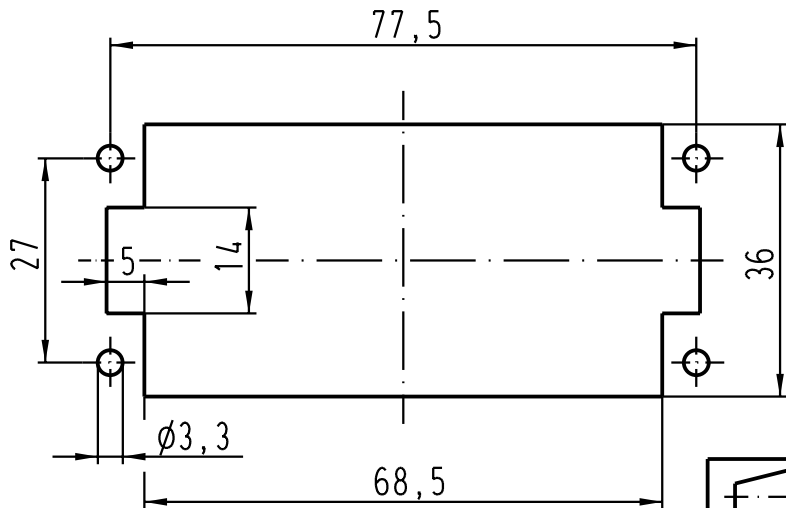
C

B

A



Montageausschnitt/
panel cut out



All Dimensions in mm Original Size DIN A 4		Techn. Character.		Nicht tolerierte Masse / Free size tolerances	
			Dat.	Name	1:1 Han 40D-F-c Buchsenträger / female insert
		Detail.	12.04.99	KR	
		Insp.		SDT.	
		Stand.			
410526	18.07.03	Ho	HARTING Electric GmbH & Co. KG		TB 09 21 040 3101 Sub. TB 09 21 0.. 3101 Bl.2/2 v. 09.12.92
25626			D-32339 Espelkamp		
Mod.	Dat.	Name			Blatt / page